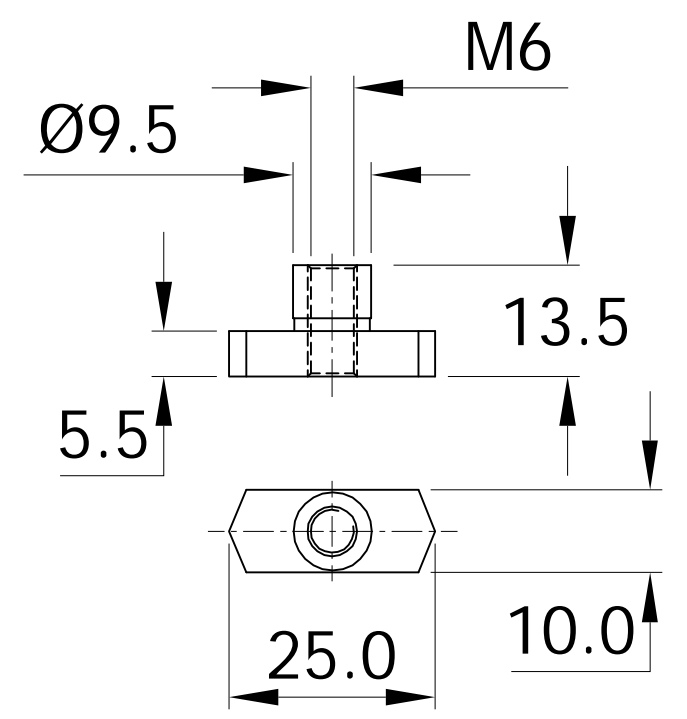


## HEXAGONAL RAIL NUT SUITABLE FOR CLAMP BODY OF VELOCK PART CODE ALPCL 12.7mm



MOC :- SS304  
 SIZE :- M6  
 QTY :- 500 NOS  
 RATE =

HEXAGONAL RAIL NUT

<b>VAISHNAVI ENGINEERING</b>				
Item Name : HEXAGONAL RAIL NUT FOR AL PCL 12.7mm OD				
	NAME	DATE	INDEX	0
Prepared By	ASHRAF	17/03/2012	Scale	NTS
Checked By			Sheet	1 / 1
Approved By				
Item Code : AL PCL 12.7mm HEXAGONAL RAIL NUT	Drwg. No. <b>DWG- 845</b>			
Website : <a href="http://www.vehydraulics.com">http://www.vehydraulics.com</a> , Email : <a href="mailto:sales_velock@vehydraulics.com">sales_velock@vehydraulics.com</a>				