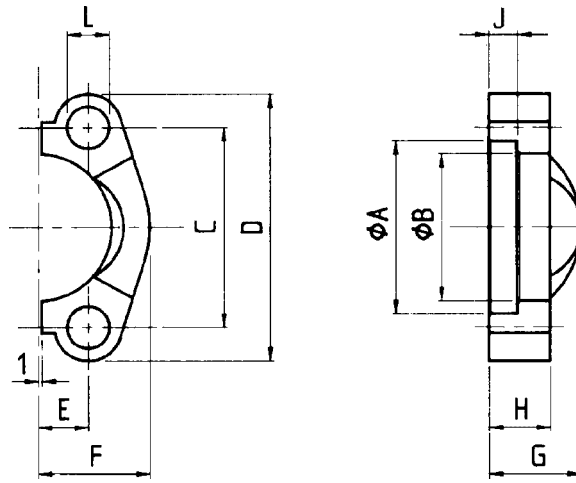




**VE-LOCK**  
**SAE FLANGES**

# SAE-SPLIT FLANGE HALVES



Material : 1. ST 52.3 (FE 510) .... Zinc Plated Yellow Chromate  
2. 1.4404/1.4541 316L/321.... Stainless Steel  
3. Forged Material

3.000 Series														
Size	VE-LOCK® ITEM CODE	A	B	C	D	E	F	G	H	J	Ø L	Screws		Weight kg.
												Metric	UNC	
1/2"	VEFL 01	30.96	24.26	38.10	54	8.74	22.8	19	13	6.22	8.50	M 8 x 25	5/16" x 1 1/4"	0.07
3/4"	VEFL 02	38.89	32.13	47.63	65	11.13	25.9	22	14	6.22	10.50	M 10 x 30	3/8" x 1 1/4"	0.09
1"	VEFL 03	45.24	38.48	52.37	70	13.08	29.2	24	16	7.49	10.50	M 10 x 30	3/8" x 1 1/4"	0.11
1 1/4"	VEFL 04	51.59	43.69	58.72	79	15.09	36.3	22	16	7.49	12.00	M 10 x 35	7/16" x 1 1/2"	0.15
1 1/4"	VEFL 05	51.59	43.69	58.72	79	15.09	36.3	22	16	7.49	10.50	M 10 x 35	-	0.15
1 1/4"	VEFL 06	51.59	43.69	58.72	79	15.09	36.3	22	16	7.49	12.50	M 12 x 35	-	0.15
1 1/2"	VEFL 07	61.09	50.80	69.85	94	17.86	41.1	25	16	7.49	13.50	M 12 x 35	1/2" x 1 1/2"	0.23
2"	VEFL 08	72.24	62.74	77.77	102	21.44	48.2	26	16	9.02	13.50	M 12 x 35	1/2" x 1 1/2"	0.25
2 1/2"	VEFL 09	84.94	74.93	88.90	114	25.40	54.1	38	19	9.02	13.50	M 12 x 40	1/2" x 1 1/2"	0.37
3"	VEFL 10	102.39	90.93	106.38	135	30.96	65.3	41	22	9.02	16.75	M 16 x 45	5/8" x 2"	0.65
3 1/2"	VEFL 11	115.10	102.36	120.65	152	34.92	69.5	28	22	10.72	17.00	M 16 x 45	5/8" x 2"	0.75
4"	VEFL 12	127.79	115.06	130.18	162	38.88	76.0	35	25	10.72	17.00	M 16 x 50	5/8" x 2"	0.84
5"	VEFL 13	153.19	140.46	152.40	184	46.04	90.0	41	28	10.72	17.00	M 16 x 50	5/8" x 2"	1.25
6.000 Series														
1/2"	VEFL 14	32.54	24.64	40.49	56	9.12	23.6	22	16	7.24	8.50	M 8 x 30	5/16" x 1 1/4"	0.08
3/4"	VEFL 15	42.06	32.51	50.80	71	11.91	30.0	28	19	8.26	10.50	M 10 x 35	3/8" x 1 1/2"	0.18
1"	VEFL 16	48.41	38.86	57.17	81	13.89	34.8	33	24	9.02	12.50	M 12 x 45	-	0.27
1"	VEFL 17	48.41	38.86	57.15	81	13.89	34.8	33	24	9.02	12.00	-	7/16" x 1 3/4"	0.27
1 1/4"	VEFL 18	54.76	44.45	66.68	95	15.88	38.6	38	27	9.78	14.50	M 14 x 50	-	0.40
1 1/4"	VEFL 19	54.76	44.45	66.68	95	15.88	38.6	38	27	9.78	13.50	-	1/2" x 1 3/4"	0.40
1 1/2"	VEFL 20	64.29	51.56	79.38	113	18.26	47.5	43	30	12.07	16.75	M 16 x 55	5/8" x 2"	0.68
2"	VEFL 21	80.16	67.56	96.82	133	22.23	56.9	52	37	12.07	21.00	M 20 x 65	3/4" x 2 1/2"	1.05