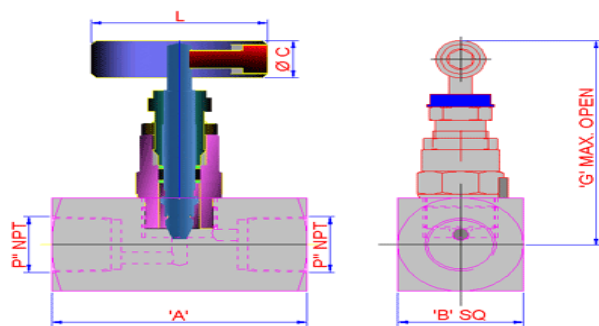


NEEDLE VALVE - BAR STOCK TYPE



BSP / NPT - FEMALE THREADS - 6000 PSI SERIES



Sr.No.	Velock Part Code	P	B	A	G	L	C	E = Orifice Size in mm	Working Pressure Rating
1	NV 1/4"	1/4"	25	55	70.5	40	10	4	6000 psi
2	NV 3/8 "	3/8"	25	55	70.5	40	10	4	6000 psi
3	NV 1/2 "	1/2"	30	65	86	55	1/2"	5	6000 psi
4	NV 3/4"	3/4"	36	70	93	60	16	6	6000 psi
5	NV 1 "	1"	45	75	98	60	16	7	6000 psi

PART DETAILS IN NEEDLE VALVE WITH MATERIALS USE FOR

Sr. No.	Description of Parts	Qty.	MOC -1	MOC -2	MOC -3
1	Lock Nut	1	C.S.	C.S.	C.S.
2	Handle	1	C.S.	C.S.	C.S.
3	Gland Nut	1	C.S.	SS 304	SS 316
4	Lock Nut	1	C.S.	SS 304	SS 316
5	Bonnet	1	C.S.	SS 304	SS 316
6	Gland Packing	2	PTFE	PTFE	PTFE
7	Washer	1	C.S.	SS 304	SS 316
8	Spindle	1	C.S.	SS 304	SS 316
9	Orifice	1	C.S.	SS 304	SS 316
10	Lock Pin	1	C.S.	SS 304	SS 304
11	Dust Cover (Cap)	1	PP	PP	PP
12	Valve Body	1	C.S.	SS 304	SS 316

Note :- Sealing / Packing for High Temp. will be given on Request only.